
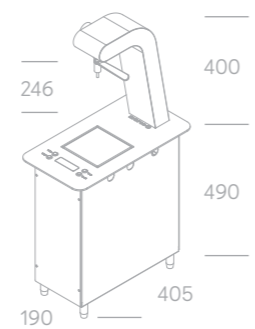
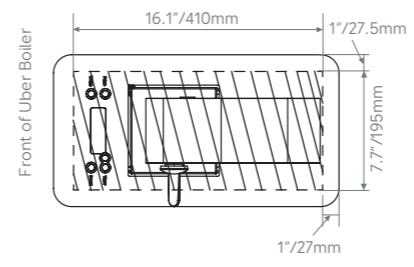
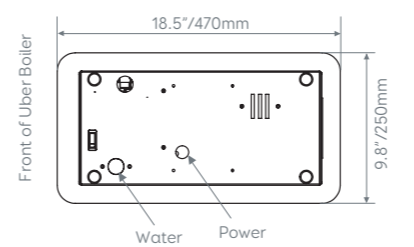
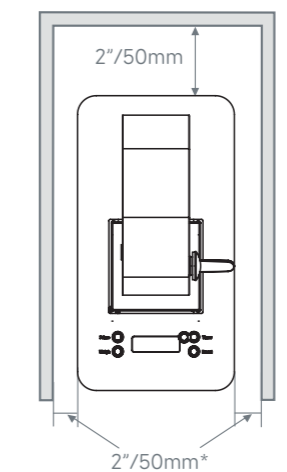
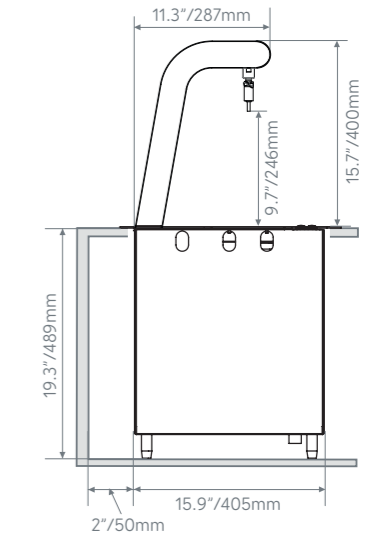


<p>ÜBER BOILER 1000680</p> 	<p>DIMENSIONS</p> 
<ul style="list-style-type: none"> Built in water drain, scales and timer 0.1° water accuracy with patented APLogic™ software Variable manual control flow rate 	<ul style="list-style-type: none"> Joystick for direction flow control 156 cups (180ml) per hour 28 litre output per hour

HIGHLY PRECISE MANUAL BREWING STATION FOR PERFECT POUROVER COFFEE OR SPECIALITY TEA.

NAME ORDER CODE	POWER @ 230V	IMMEDIATE DRAW OFF	ABOVE COUNTER DIMENSIONS (D x W x H mm)	UNDER- COUNTER DIMENSIONS (D X W X H mm)	TAP TO TRAY (T mm)	PLUMBING REQS
Über Boiler 1000680	2.8kW	5.6 L	470 x 250 x 400	405 x 190 x 490	246	3/4" BSP

<p>ÜBER BOILER</p> <p>COUNTER CUTOUT</p>  <p>Boiler Connections to Front</p> 	<p>CABINET CLEARANCE</p>  <p>* Required for ventilation if the machine is installed</p>	<p>ÜBER BOILER 1000680</p> 
---	--	--

ELECTRICAL INSTALLATION PROCEDURE

When installing the machine, always observe the local regulations and standards. The standard machine is supplied with a UK 3-pin plug. For EU models a 2-pin CEE-7 plug will be supplied. US models will be supplied with the suitable plug. A suitable mains power supply socket should be available within easy access of the appliance so that it can be disconnected easily after install.

PLUMBING INSTALLATION PROCEDURE

- Ensure that the equipment is installed according to local plumbing & water regulations.
- Mains water pressure required (limits): 14.5 - 145psi (100 - 1000kPa, 0.1 - 1MPa).
- Requires inline water filter within your water specifications.
- The machine is supplied with a 3/4" BSP connection.
- Turn on the water to flush any impurities, dust etc from the inlet hose and water pipe. Allow several litres through. Especially for new installations.
- Connect the hose to the inlet valve of the boiler. Make sure a sealing washer is fitted.
- Turn on water and check for leaks.
- This equipment must be installed with adequate backflow protection to comply with all applicable federal, state and local codes.

OPERATING BOILER FOR THE FIRST TIME

- Check that all installation procedures have been carried out.
- Ensure water valve is on.
- Plug boiler into an appropriate electrical supply and press power button located under the bottom of the tank unit.
- The boiler unit will then take in water to the middle level probe and then commence heating.
- The display will show PRIME FILL and the TANK TEMP will show the temperature of the water in the tank.
- Once the temperature reaches the value set as standby the boiler will continue filling the tank in short bursts to maintain constant temperature.
- The display will show PRIME READY at this stage and the BOOST button will be enabled.
- Once the water level in the tank has reached the high level probe (full) the heater will turn off and display will show PRIME READY FULL.
- The boiler is now ready for use.